

S1500E >>>



Fill & Pan Section

- i 1. Hot water basin
- i 2. Nozzles
- i 3. BACross 3 - Fill sheets with integrated drift eliminators
- i 4. BACross 3 - Lower fill sheets with integrated drift eliminators*
- i 5. Combined inlet shields
- i 6. Fan cylinder
- i 7. Fan guard
- i 8. Axial fan assembly (see detailed view)
- i 9. Make-up valve assembly
- i 10. Float ball
- i 11. Access door (not visible)
- i 12. Motor base & adjust rod
- i 13. Pan strainer
- i 14. Pan strainer hood
- i 15. Heater
- i 16. Low level cut out switch
- i 17. Heater thermostat

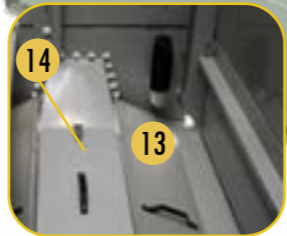
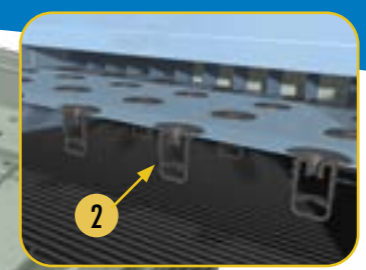
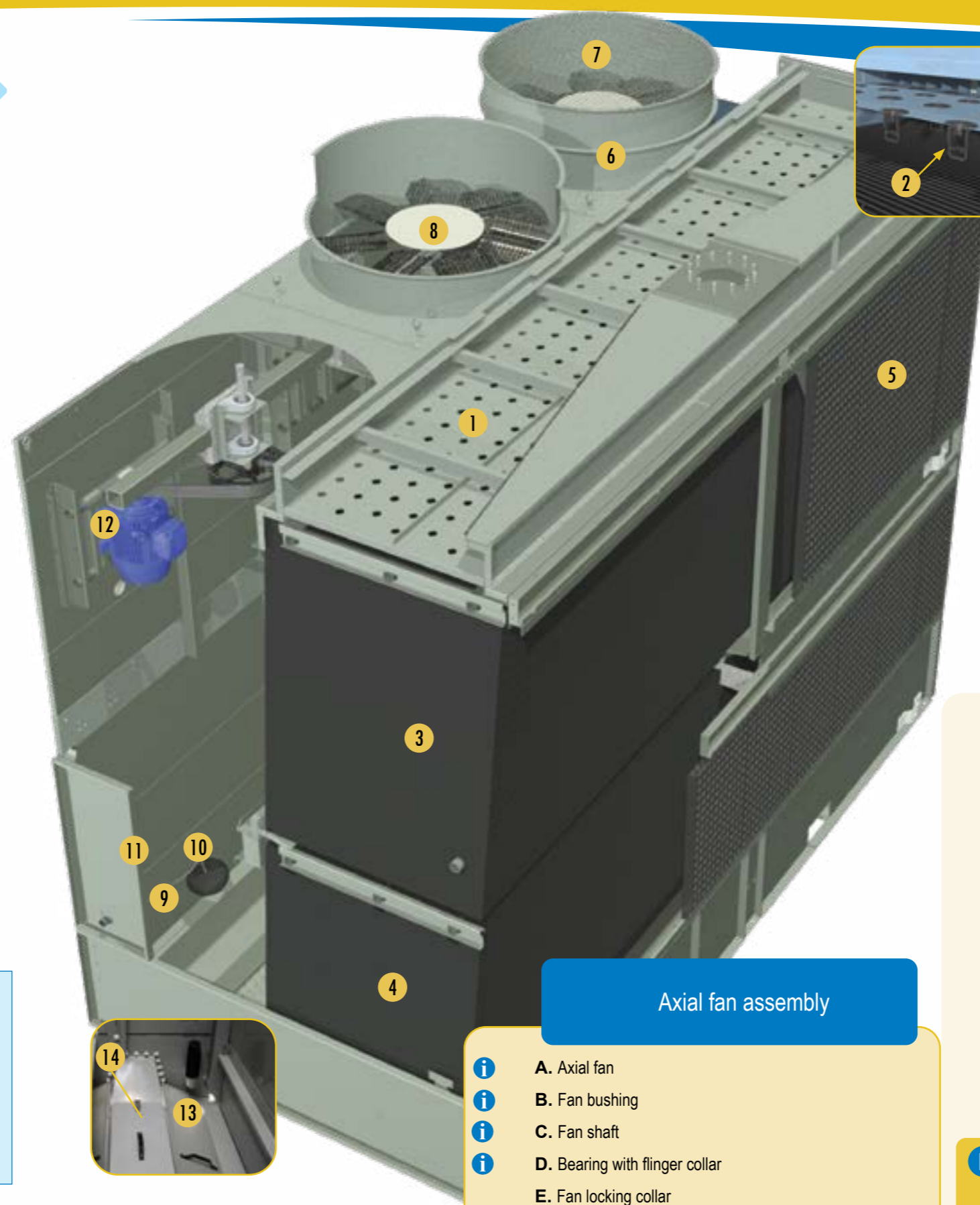
* (certain models)

Client contact information

Name _____
 Company _____
 Telephone _____
 Email _____
 Unit model _____
 Serial number _____

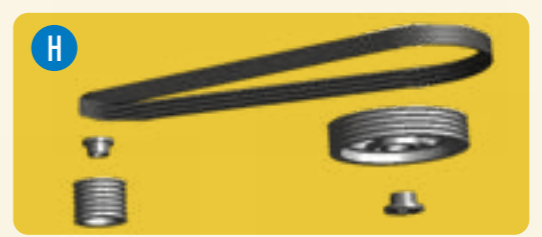
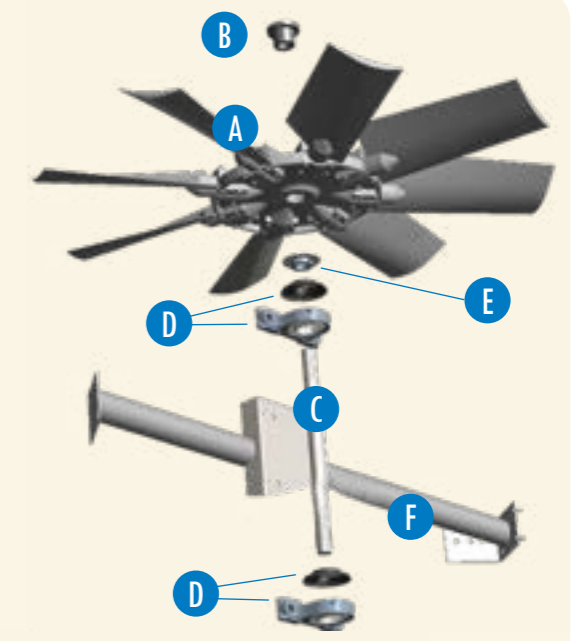
Your BAC contact

Name _____
 Telephone _____
 Email _____



Axial fan assembly

- i A. Axial fan
- i B. Fan bushing
- i C. Fan shaft
- i D. Bearing with flinger collar
- i E. Fan locking collar
- i F. Bearing support
- i G. Impervix Fan motor
- i H. Drive set
 - i Motor sheave & bushing
 - i Aluminium fan sheave & bushing
 - i Belt set



Spare parts for cooling tower



This is not an official order form.

Quantities may vary according to the unit type.